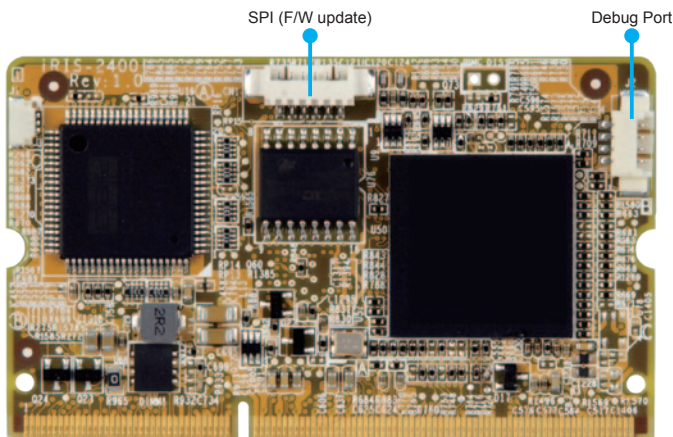


iRIS-2400-R10

IPMI 2.0 adapter card with AST2400 BMC chip for DDR3 SO-DIMM socket interface



New

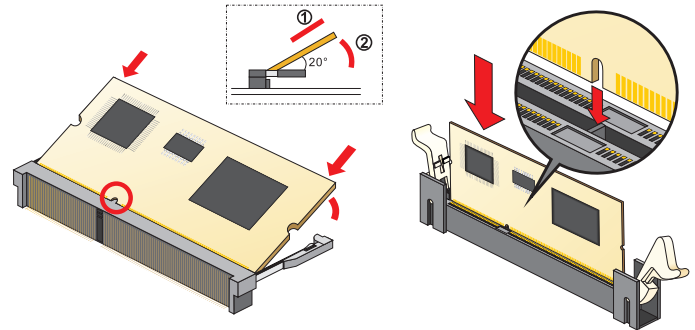
Features

1. IPMI 2.0 based remote management
2. Out-of-Band management
3. Hardware health monitor
4. Secured remote KVM or virtual media
5. Remote power control



Easy to Install

- iRIS-2400 slot (90°)
- iRIS-2400 slot (180°)



Specifications

- ◆ IPMI 2.0 Based Management
 - » BMC stack with a full IPMI 2.0 implementation
 - » Customizable sensor management
- ◆ OS Platform Independent
- ◆ Hardware Health Monitor
 - » System/CPU temperature
 - » Fan speeds
 - » Voltage
 - » Chassis intrusion
 - » Power supply failed
 - » FRU (Field Replaceable Unit)
- ◆ Event Log
 - » BIOS event
 - » Hardware health monitor event
 - » Sensor readings
- ◆ Notifications
 - » Email alerts
 - » SNMP traps
- ◆ LDAP Support
 - » Direct LDAP support from the device
 - » Open LDAP (Generic LDAP) supported
- ◆ Media Redirection
 - » Simultaneous floppy, Hard disk or USB and CD or DVD redirection
 - » Efficient USB 2.0 based CD/DVD redirection with a typical speed of 20XCDD
 - » Support for USB key
 - » Completely secured (Authenticated or Encrypted) remote KVM or virtual media
- ◆ Remote Power Control
 - » Remote power control
 - » Keyboard, Video & Mouse (KVM) over IP (iRIS-2400 only)
 - » Serial over LAN (SOL)
- ◆ User Management
 - » IPMI based user management
 - » Added security with SSL (HTTPS)
 - » Multiple user permission level
 - » Multiple user profiles
- ◆ Web-based Configuration
 - » Full configuration using web UI
 - » Fail-safe firmware upgrade
 - » Multi-language support in Web interface with English as the currently supported language
- ◆ Dimensions (LxW): 68 mm x 40 mm
- ◆ Weight: NW: 12g

iRIS Series

| Intel® Skylake Project | | |
|-----------------------------|--------------------------|----------------------|
| Project | Form Factor | IPMI Solution |
| SPCIE-C2360-i2 | PICMG 1.3 | iRIS-2400 |
| PCIE-Q170-i2 | PICMG 1.3 | iRIS-2400 |
| IMBA-C236-i2 | ATX | iRIS-2400 |
| IMBA-Q170-i2 | ATX | iRIS-2400 |
| Intel® Broadwell-DE Project | | |
| IMBA-BDE | ATX | iRIS-2500 (on board) |
| Intel® Haswell Projects | | |
| SPCIE-C2260-i2 | PICMG 1.3 | iRIS-2400 |
| PCIE-Q870-i2 | PICMG 1.3 | iRIS-2400 |
| IMBA-C2260-i2 | ATX | iRIS-2400 |
| IMBA-Q870-i2 | ATX | iRIS-2400 |
| IMB-Q870-i2 | microATX | iRIS-2400 |
| IMB-H810-i2 | microATX | iRIS-2400 |
| Intel® Bay Trail | | |
| KINO-ABT-i2 | Mini-ITX | iRIS-2400 |
| AMD R-series | | |
| KINO-DA750-i2 | Mini-ITX | iRIS-2400 |
| KINO-AA750-i2 | Mini-ITX | iRIS-2400 |
| AMD G-series | | |
| KINO-KBN/SE-i2 | Mini-ITX | iRIS-2400 |
| Embedded Box | | |
| IDS-200-i2 | AMD R-series (A70) | iRIS-2400 |
| TANK-6000-i2 | Intel® Haswell (C226) | iRIS-2400 (on board) |
| TANK-760 | Intel® Haswell (HM86) | iRIS-2400 |
| TANK-860 | Intel® Haswell (HM86) | iRIS-2400 |
| TANK-801 | Intel® Bay Trail (J1900) | iRIS-2400 |
| DRPC-120 | Intel® Bay Trail (E3845) | iRIS-2400 |
| SBOX-QM87 | Intel® Haswell (QM87) | iRIS-2400 |
| Panel PC | | |
| PPC-FxxA-H81 | Intel® Haswell (H81) | iRIS-2400 |
| PPC-FxxA-BT | Intel® Bay Trail (J1900) | iRIS-2400 |
| PPC-FXXB-BT | Intel® Bay Trail (J1900) | iRIS-2400 |
| POC-W22A-H81 | Intel® Haswell (H81) | iRIS-2400 |
| SxxA-QM87 | Intel® Haswell (QM87) | iRIS-2400 |

Packing List

1 x iRIS-2400-R10 IPMI 2.0 adapter card

Ordering Information

| Part No. | Description |
|---------------|---|
| iRIS-2400-R10 | IPMI 2.0 adapter card with AST2400 BMC chip for DDR3 SO-DIMM socket interface |